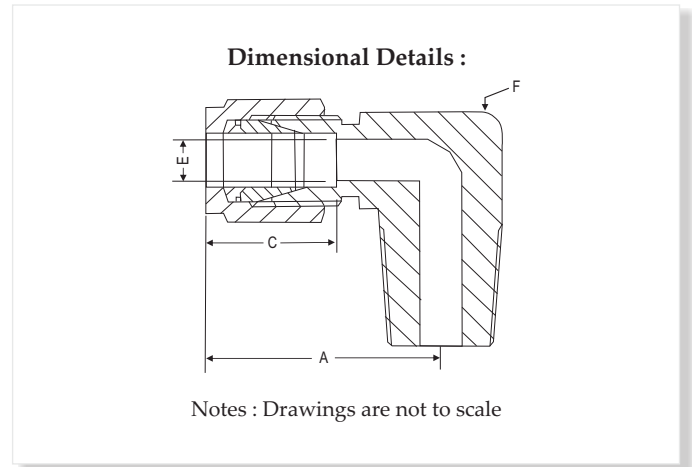


MALE ELBOW



Dimension, in.

Tube OD	NPT Male Thread Size	Part Number	A	C	E	F
1/8	1/8	K2EM2N	0.93	0.50	0.09	7/16
1/8	1/4	K2EM4N	0.97	0.50	0.09	1/2
1/4	1/4	K4EM4N	1.06	0.60	0.19	1/2
1/4	3/8	K4EM6N	1.17	0.60	0.19	11/16
1/4	1/2	K4EM8N	1.25	0.60	0.19	13/16
3/8	1/4	K6EM4N	1.20	0.66	0.28	5/8
3/8	3/8	K6EM6N	1.23	0.66	0.28	11/16
3/8	3/4	K6EM12N	1.46	0.66	0.28	11/16
1/2	1/4	K8EM4N	1.42	0.90	0.28	13/16
1/2	3/8	K8EM6N	1.42	0.90	0.38	13/16
1/2	1/2	K8EM8N	1.42	0.90	0.41	13/16
1/2	3/4	K8EM12N	1.57	0.90	0.41	1 1/16
3/4	1/2	K12EM8N	1.57	0.96	0.47	1 1/16
3/4	3/4	K12EM12N	1.57	0.96	0.62	1 1/16
1	3/4	K16EM12N	1.93	1.23	0.62	1 3/8
1	1	K16EM16N	1.93	1.23	0.88	1 3/8

Dimension, mm.

Tube OD	NPT Male Thread Size	Part Number	A	C	E	F in
6	1/8	KM6EM2N	27.0	15.3	4.8	1/2
6	1/4	KM6EM4N	27.0	15.3	4.8	1/2
6	3/8	KM6EM6N	29.8	15.3	4.8	11/16
6	1/2	KM6EM8N	31.8	15.3	4.8	13/16
8	1/8	KM8EM2N	28.8	16.2	4.8	9/16
8	1/4	KM8EM4N	28.8	16.2	6.4	9/16
8	3/8	KM8EM6N	30.6	16.2	6.4	11/16
8	1/2	KM8EM8N	32.6	16.2	6.4	13/16
10	1/8	KM10EM2N	31.5	17.2	4.8	11/16
10	1/4	KM10EM4N	31.5	17.2	7.1	11/16
10	3/8	KM10EM6N	31.5	17.2	7.9	11/16
10	1/2	KM10EM8N	33.5	17.2	7.9	13/16
12	1/4	KM12EM4N	36.0	22.8	7.1	13/16
12	3/8	KM12EM6N	36.0	22.8	9.5	13/16
12	1/2	KM12EM8N	36.0	22.8	9.5	13/16
12	3/4	KM12EM12N	39.8	22.8	9.5	1 1/16
16	3/8	KM16EM6N	38.0	24.4	9.5	15/16
16	1/2	KM16EM8N	38.0	24.4	11.9	15/16
16	3/4	KM16EM12N	39.8	24.4	12.7	1 1/16
20	1/2	KM20EM8N	44.6	26.0	11.9	1 3/8
20	3/4	KM20EM12N	44.6	26.0	15.9	1 3/8
25	3/4	KM25EM12N	49.1	31.3	15.9	1 3/8
25	1	KM25EM16N	49.1	31.3	21.8	1 3/8

Dimensions and specifications shown are approximate, may vary from time to time.

Note : A and C dimensions are typical finger-tight

Ventil tube fittings are ordered by part numbers as listed in this catalogue and other sizes will be available on request.